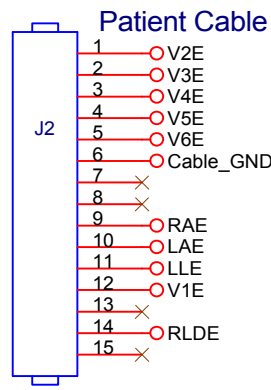
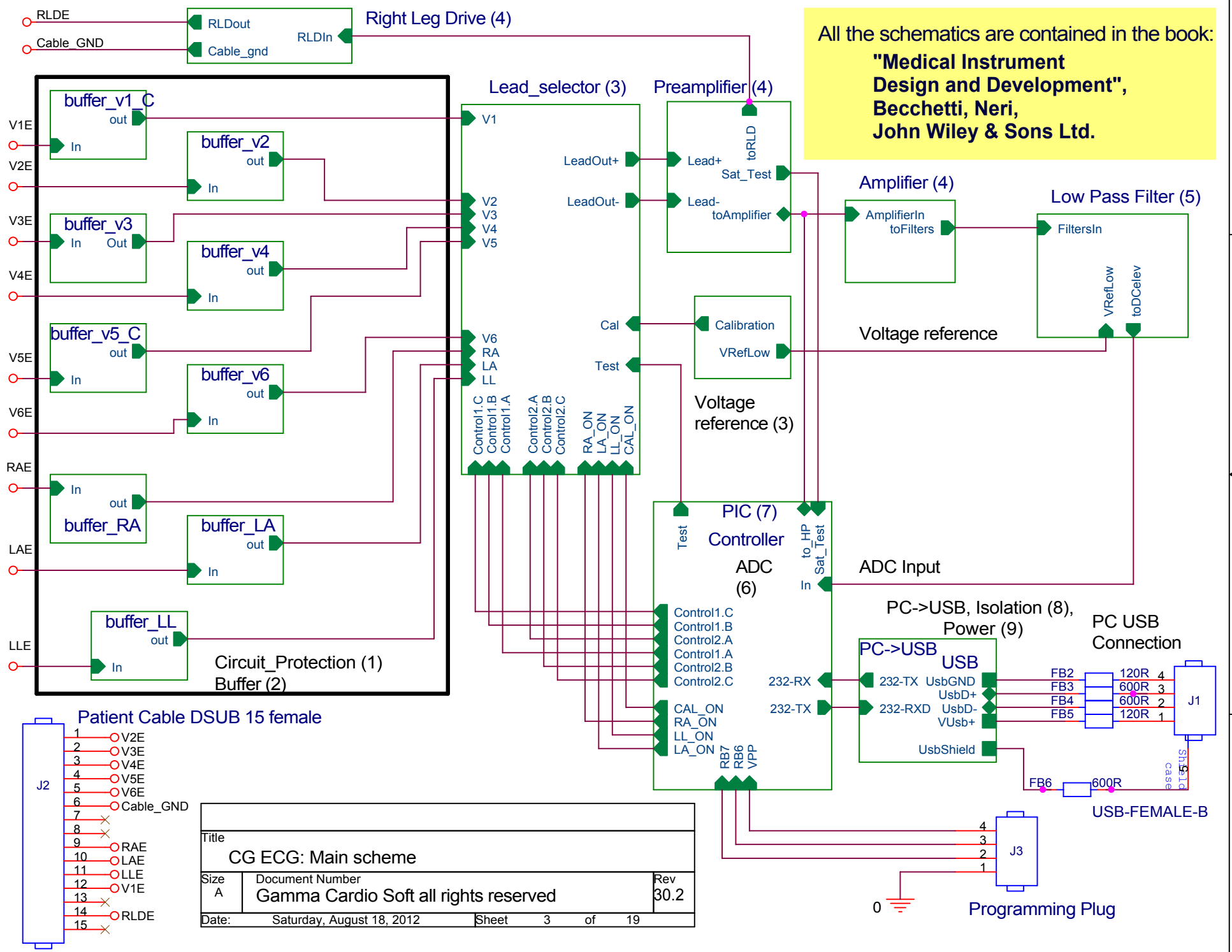


All the schematics are contained in the book:  
**"Medical Instrument Design and Development",**  
**Becchetti, Neri,**  
**John Wiley & Sons Ltd.**



Title		
CG ECG: Main scheme		
Size	Document Number	Rev
A	Gamma Cardio Soft all rights reserved	30.2
Date:	Saturday, August 18, 2012	Sheet 3 of 19

